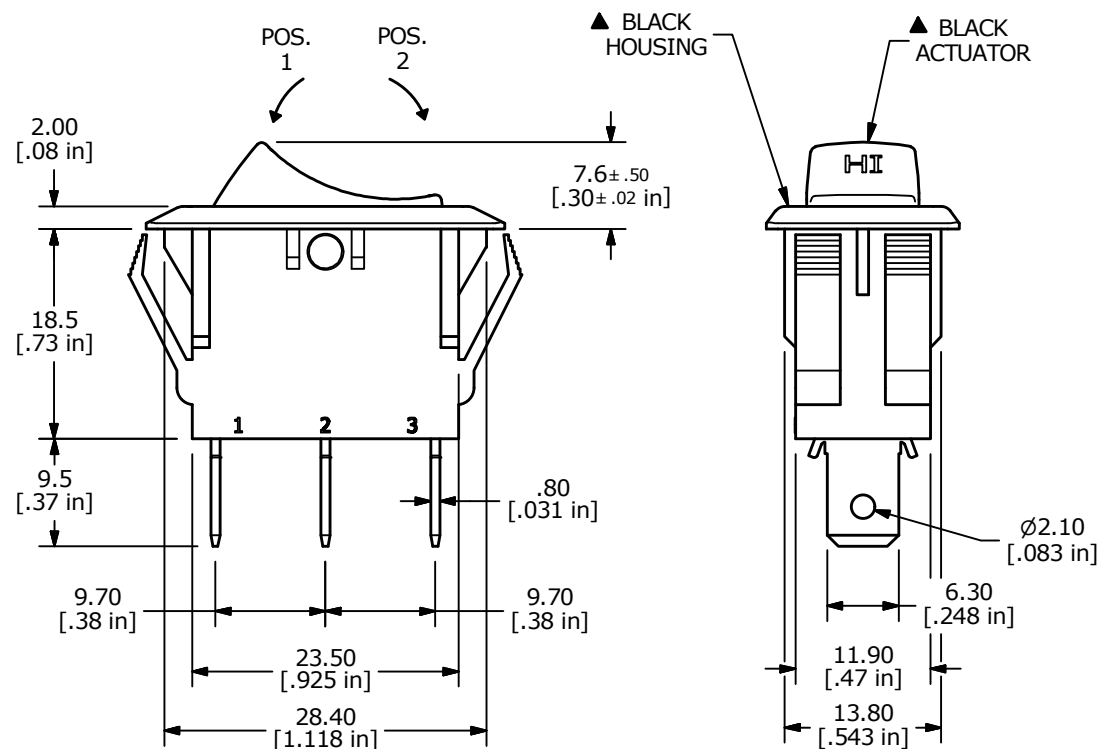


SWITCH FUNCTION	
POS. 1	POS. 2
ON	ON
2-3	2-1



NOTES:

1. ALL DIMENSIONS IN MM [INCH]
2. GENERAL TOLERANCE: X.X = ±0.4
X.XX = ±0.25
3. TERM. NOS. FOR REF. ONLY
- ▲ 4. RATING: 15A @125VAC [cURus]
16(4)A @250VAC T125/55 [ENEC]
5. MATERIAL:
CONTACT SURFACE: SILVER PLATED COPPER
CIRCUIT TERMINAL: BRASS ALLOY w/SILVER PLATE
6. ELECTRICAL LIFE: 10,000 CYCLES MIN.
7. CONTACT RESISTANCE: 20 mΩ MAX.
8. INSULATION RESISTANCE: 1,000 MΩ MIN. @ 500VDC
9. OPERATING TEMP: -20°C to 65°C [cURus, CSA]
-20°C to 105°C [cURus]
0°C to 85°C [ENEC, VDE]
0°C to 125°C [ENEC, VDE]
10. DIELECTRIC STRENGTH: >1,000V AC 1MIN
11. ▲ DENOTES CRITICAL PARAMETER.
12. 2011/65/EU (ROHS) COMPLIANT.

D	23756	update terminal # callout	1/25/19	MW
C	23370	REMOVED 20A @125VAC 3/4HP RATING	5/17/18	MJR
B	23175	UPDATED RATINGS	1/19/18	MJR
REV	PCR NO	DESCRIPTION	DATE	BY



TITLE RSC193C112HILO				
SCALE	DATE	DR	DWG	REV
3:2	4/2/2014	EBP	38-RSC193C112HILO	D